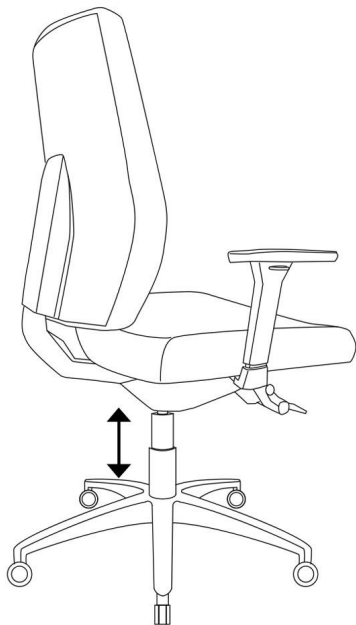


# PRODUCT INSTRUCTION

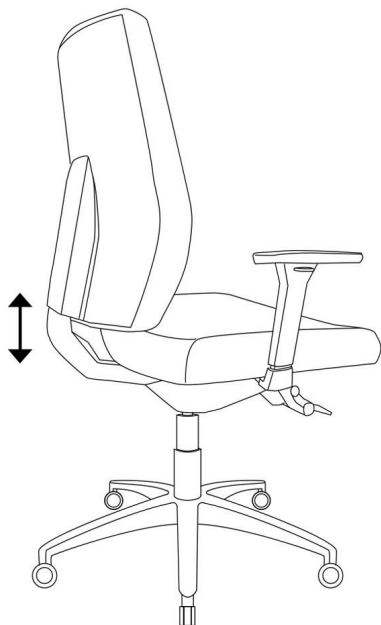
seat height adjustment



back tilting adjustment

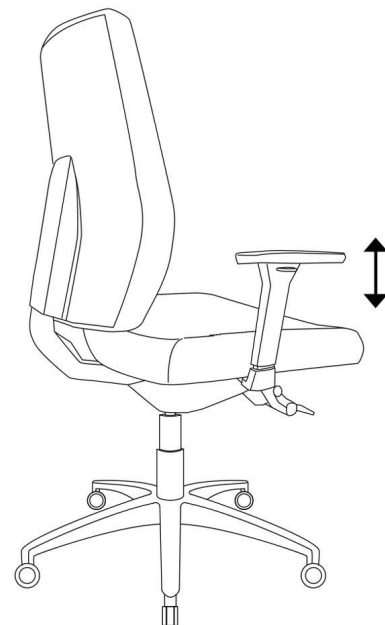
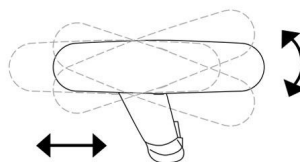


back height adjustment



armrest instruction

1. armrest height & weight adjustment
2. 3D armrest

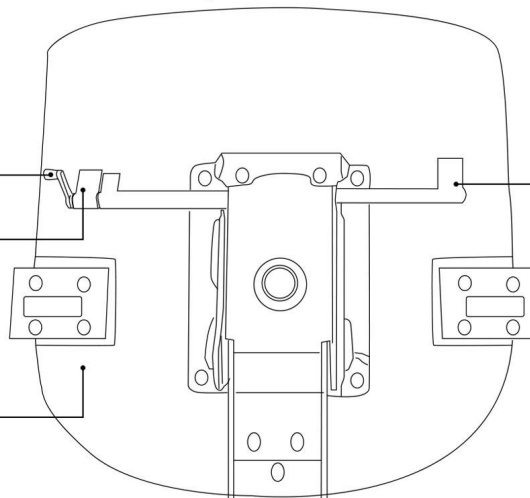


↑ FRONT

Pull out the paddle to adjust back tilting

seat height adjustable  
(Pull up to adjust)

Twist the paddle to adjust the seat forerake and lock



Twist the paddle to lock and unlock the back tilting