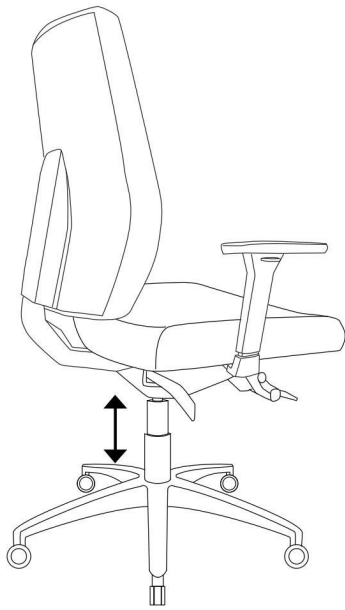


# PRODUCT INSTRUCTION

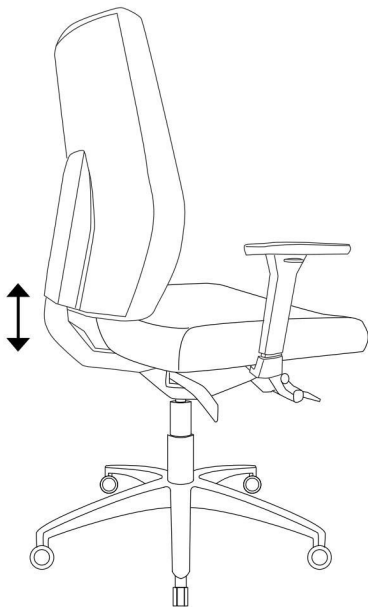
seat height adjustment



back tilting adjustment

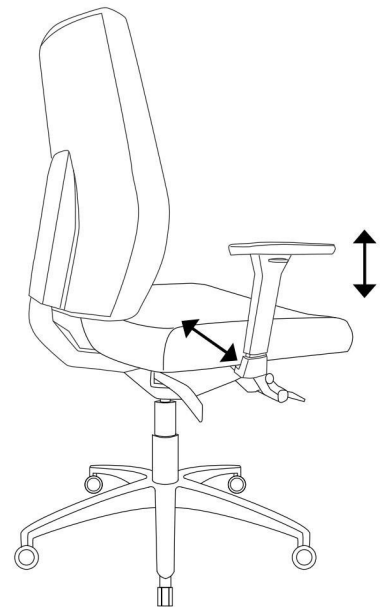
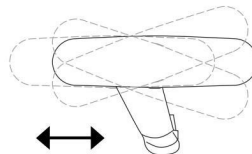


back height adjustment



armrest instruction

1. armrest height & weight adjustment
2. 4D armrest



↑ FRONT

sliding seat  
(push down the paddle)

Pull out the paddle  
to adjust back tilting

seat height  
adjustable  
(Pull up to adjust)

Twist the paddle  
to adjust the seat  
forerake and lock

Twist the paddle to  
lock and unlock  
the back tilting

